



Milano quad

Ivo Pellegrini



Cromo lucido - Polished chrome
Glanz chrome - Chrom poli



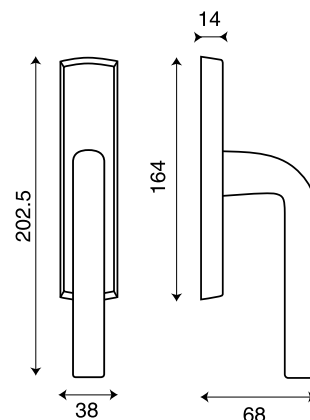
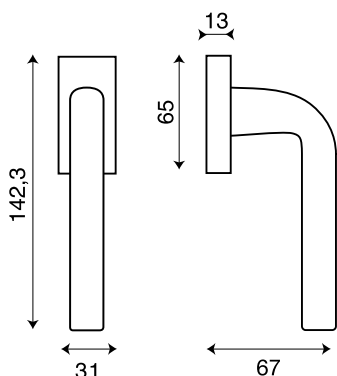
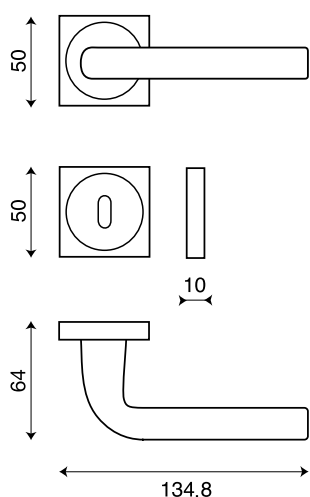
Cromo satinato - Satin chrome
Mat chrome - Chrom satiné



Bi-cromo - Pol. chrome+sat. chrome
Chrome+chrome matt
Chrome poli+chrome sat



Nickel lucido - Polished nickel
Nickel polierto - Nickel poli



| Articolo / Product Model / Article | R053 | Catalogo / Catalogue Katalog / Catalogue | MILANO QUAD | Materiale / Material Material / Matériel | Ottone Brass |
|---------------------------------------|-------|---|-------------|---|-----------------|
| | | | | | |
| Set A | Set B | Set C | Set D | Set E | Set F |

Made in Italy